

New

Acquiring certification for PictBridge (DPS over IP)

The following is an overview of the procedure for acquiring certification to develop devices that incorporate PictBridge (DPS over IP) and use the PictBridge mark and logotype.

Acquiring PictBridge (DPS over IP) standards information

The following PictBridge (DPS over IP) standards information must be acquired in order to develop devices that incorporate PictBridge (DPS over IP) and use the PictBridge mark and logotype.

1. CIPA DC-001-2003: Digital Photo Solutions for Imaging Devices
2. CIPA DC-005-2005: "Picture Transfer Protocol" over TCP/IP networks (PTP-IP)
3. CIPA DCG-006-2012: Implementation Guidelines for DPS over IP
4. Logo Certification Guidelines for DPS over IP of CIPA DCG-006-2012
5. The guideline for PictBridge Mark and Logotype

CIPA DC-001-2003: Digital Photo Solutions for Imaging Devices

An access ID is required to receive information. Go to the following URL for details.

http://www.cipa.jp/pictbridge/contents_e/04guide1_e.html

CIPA DC-005-2005: "Picture Transfer Protocol" over TCP/IP networks (PTP-IP)

An access ID is required to receive information. Go to the following URL for details.

http://www.cipa.jp/ptp-ip/contents_e/01guide_e.html

CIPA DCG-006-2012: Implementation Guidelines for DPS over IP

An access ID is required to receive information. Go to the following URL for details.

http://www.cipa.jp/dps-over-ip/contents_e/01guide_e.html

Logo Certification Guidelines for DPS over IP of CIPA DCG-006-2012

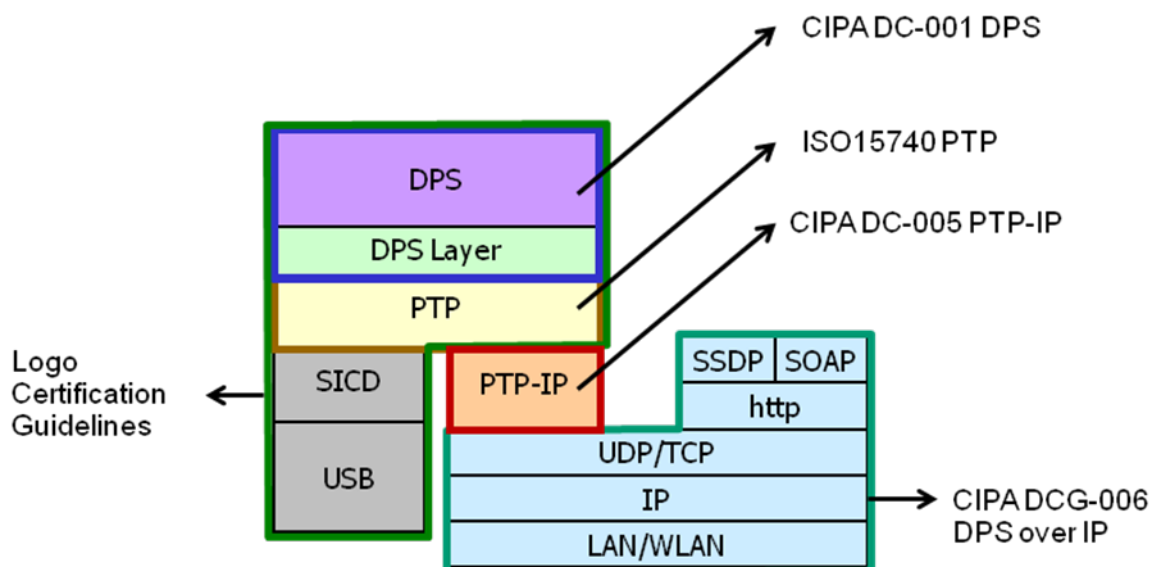
An access ID for the abovementioned Implementation Guidelines for DPS over IP .is required.

The guideline for PictBridge Mark and Logotype

An access ID for the abovementioned Implementation Guidelines for DPS over IP .is required.

Standards Configuration Diagram

To acquire the relevant standards documentation, please refer to the following standards configuration diagram.



Certification Tool Fees

Applying for logo certification requires purchasing a certification tool and, once the self-test has been passed, getting authentication from a certification agency.

DPS over IP certification tool

For cameras: ¥500,000 (tax exclusive)

For printers: ¥500,000 (tax exclusive)

These tools are available from the following certification agencies.

Please direct any inquiries to them.

Certification application start date

Applications for DPS over IP certification will be accepted from April 1, 2012.

Please inquire with the following offices for details.

Inquiries (Logo certification agencies)

System Solution Center Tochigi Inc. SSCT

Joho-no-Mori Tochigi, Hoshakuji, Takanezawa-machi, Shioya-gun, Tochigi, 329-1233, Japan

URL: https://pictbridge.ssct.co.jp/certification/index_e.php

E-mail: pbcert@ssct.co.jp

Allion Japan Inc.

8F, Higashi-Gotanda 1Chome Building, 1-24-2, Higashi-Gotanda, Shinagawa-ku, Tokyo, 141-0022, Japan

URL: <http://www.allion.com/Pictbridge.html>

E-mail: service@allion.co.jp